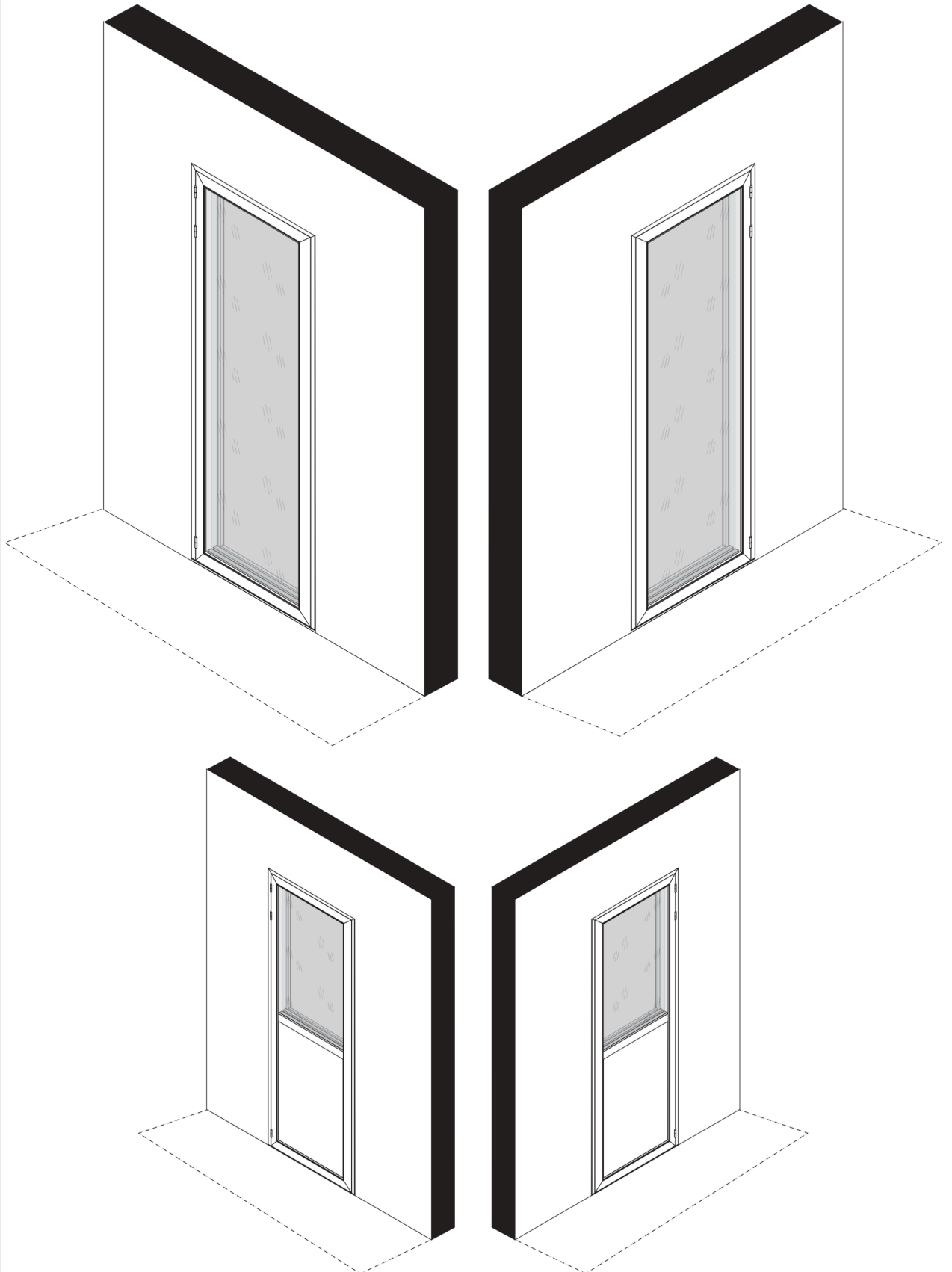


VHDE VHDSAL



SVEAFÖNSTER

L1

10



A

KK1

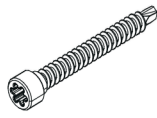
8 x



B

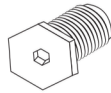
WW1

8 x



WW2

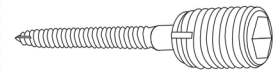
8 x



C

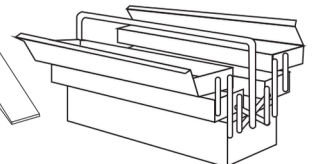
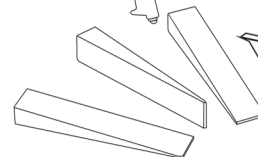
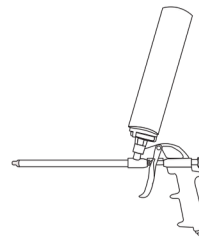
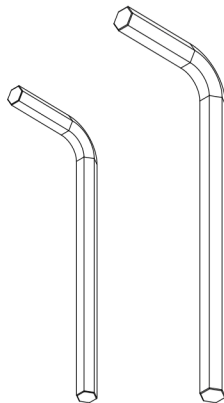
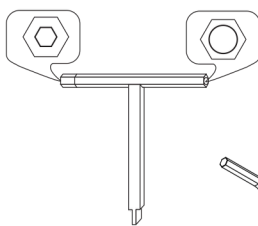
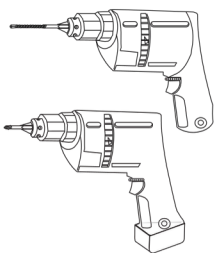
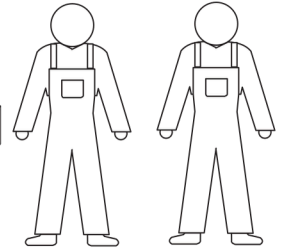
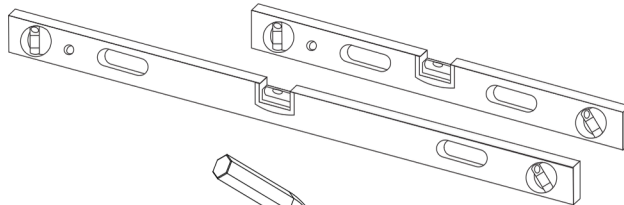
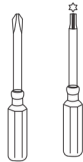
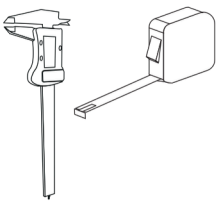
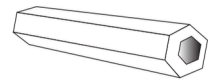
ZZ1

8 x

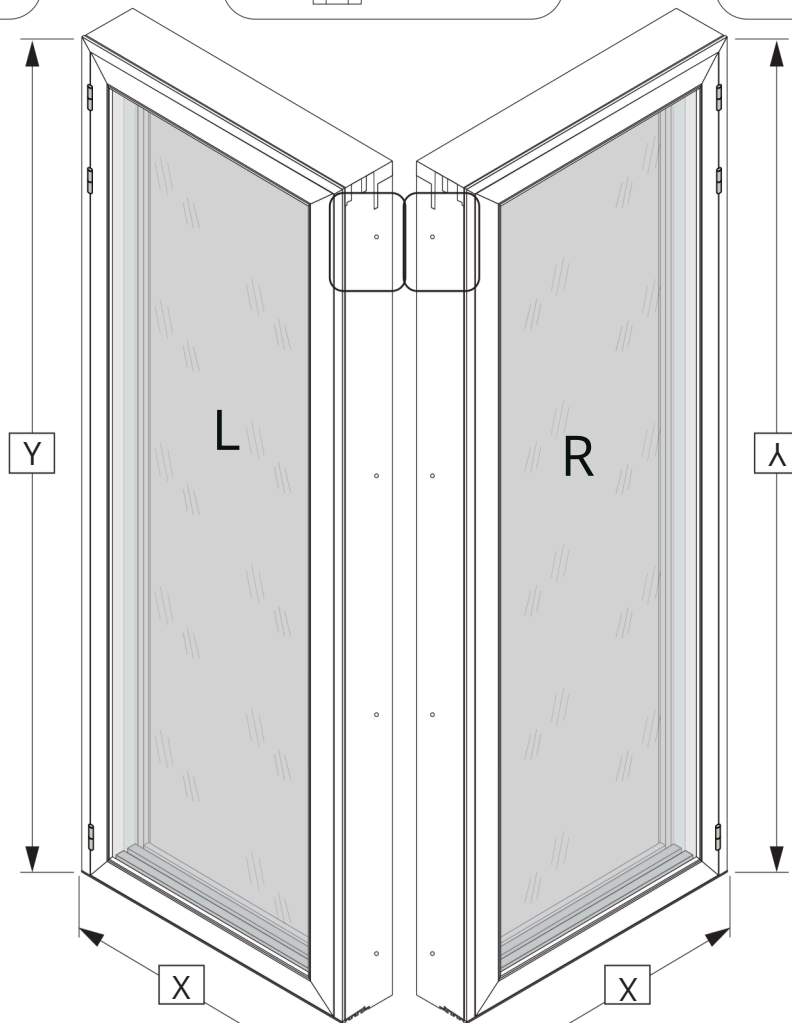
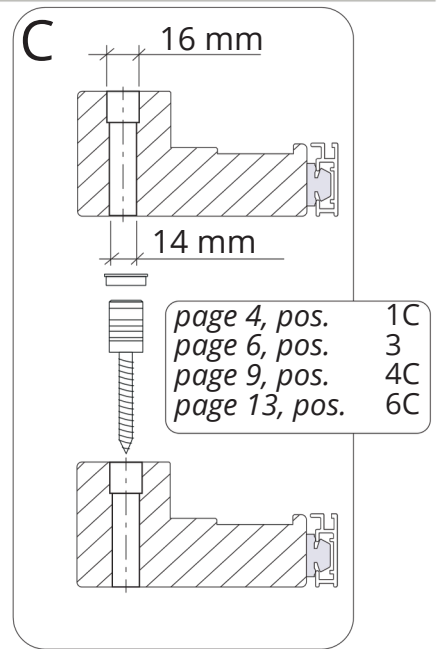
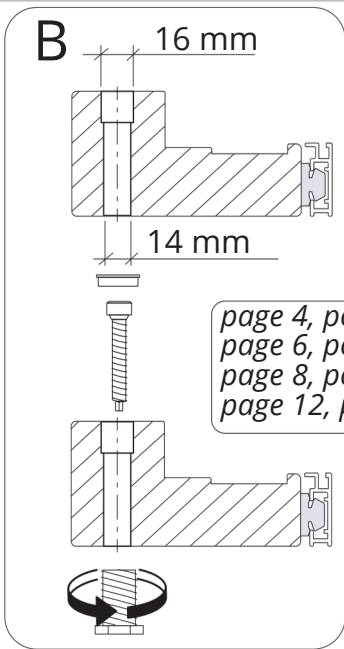
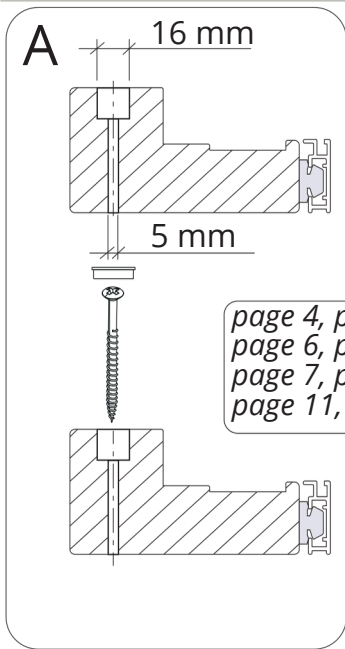


Z

1

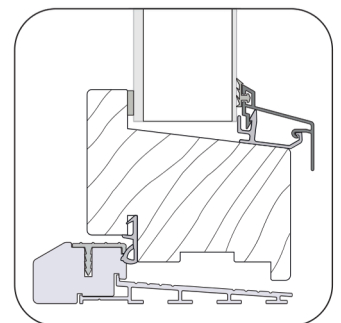
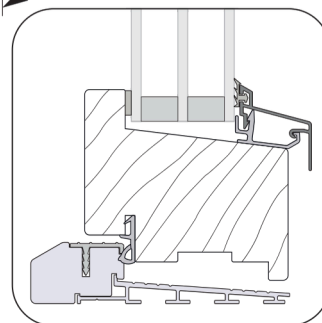
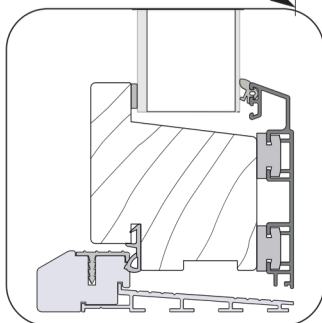
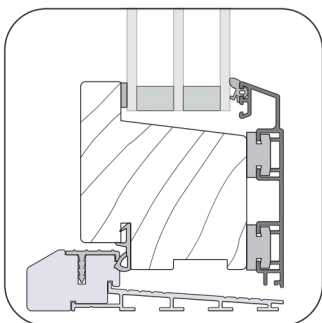


3,0mm 8,0mm 10,0mm

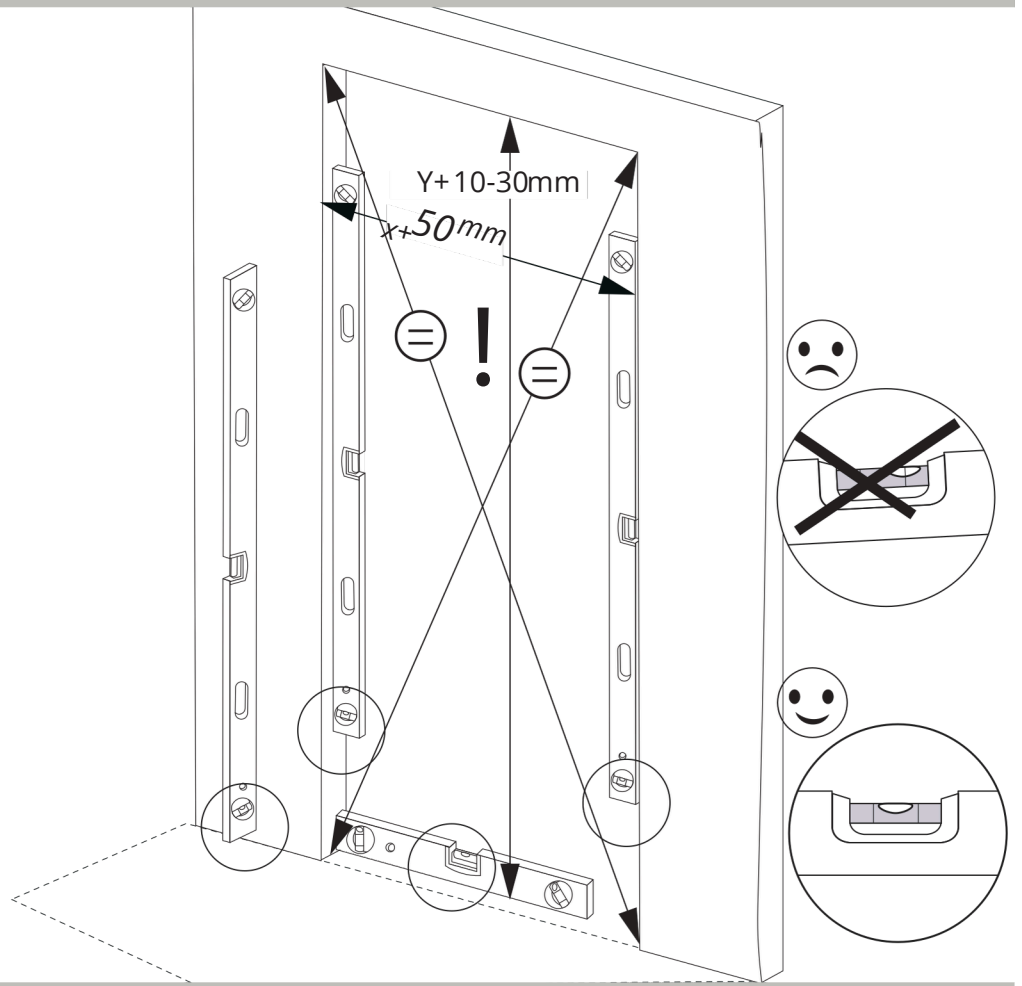
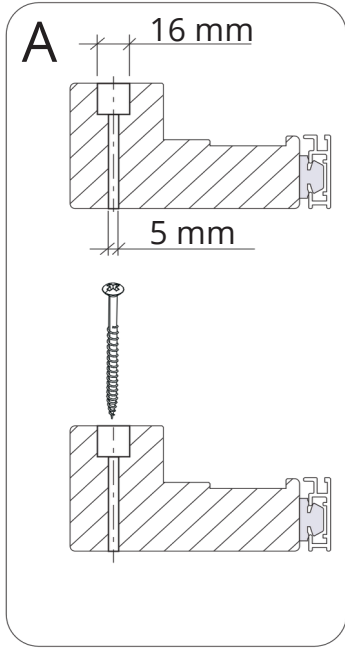


VHDSAL

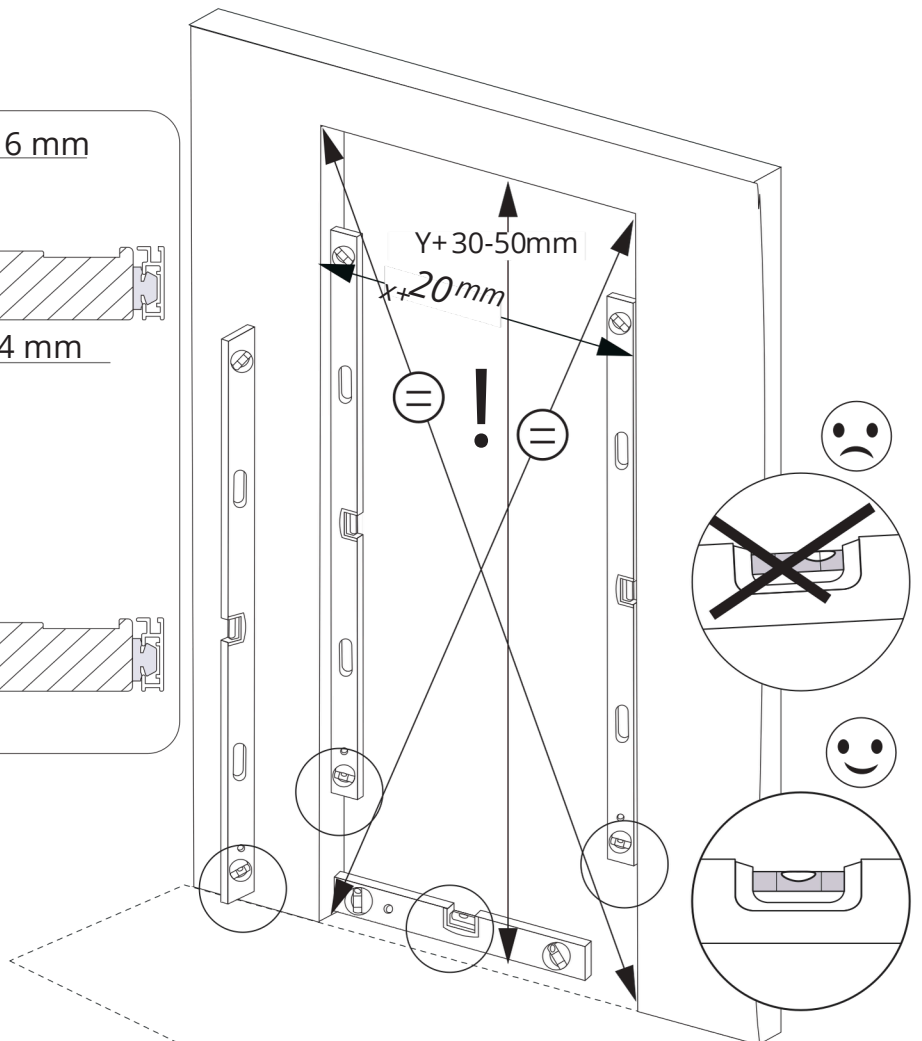
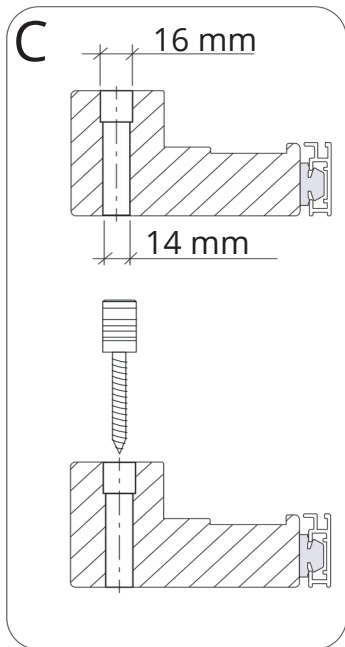
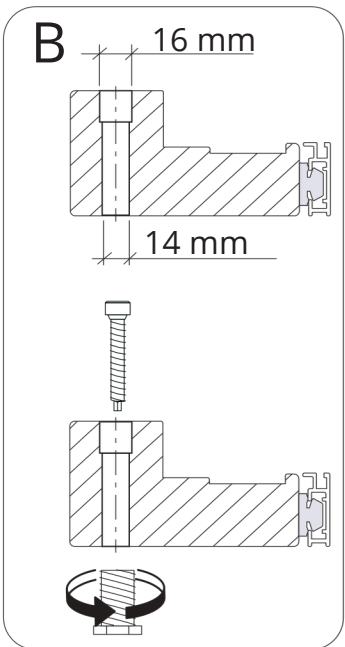
VHDE

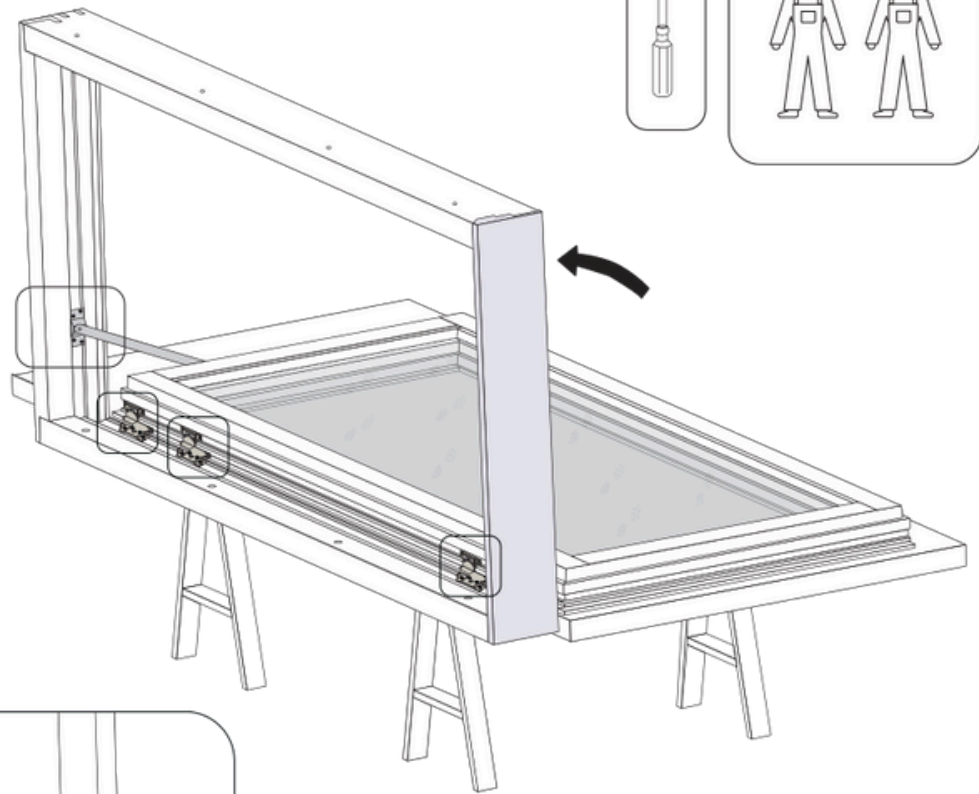
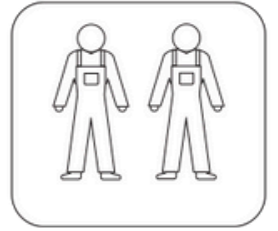


1 A

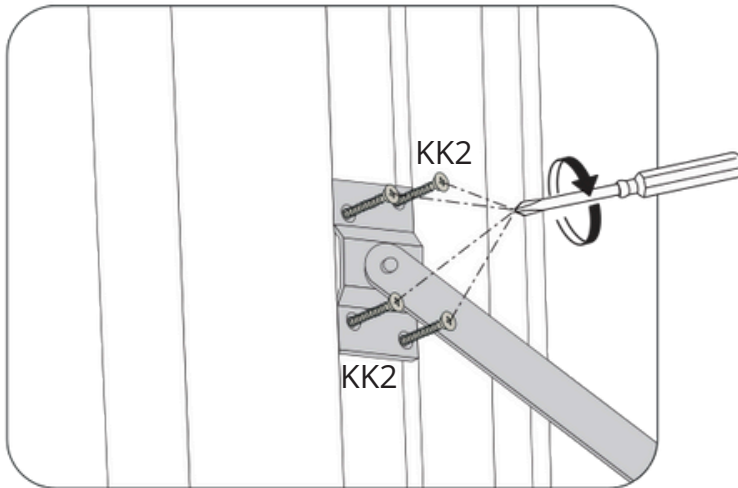


1B 1C

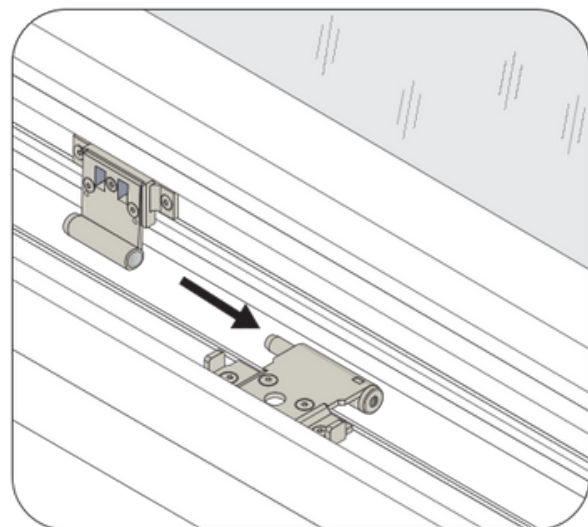


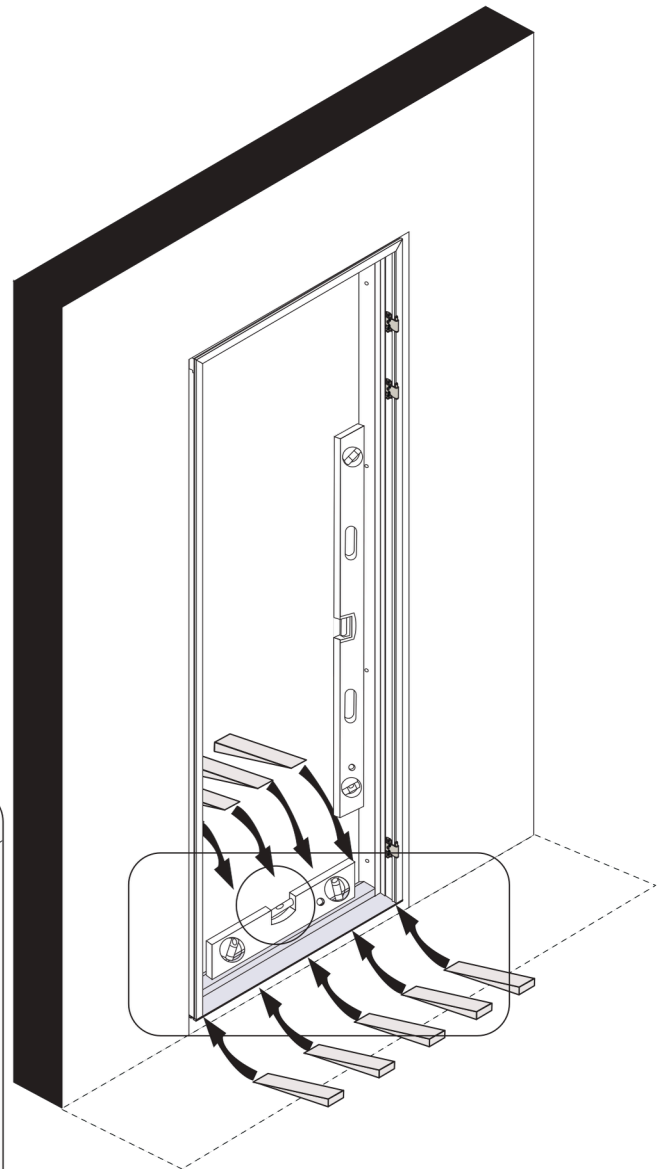
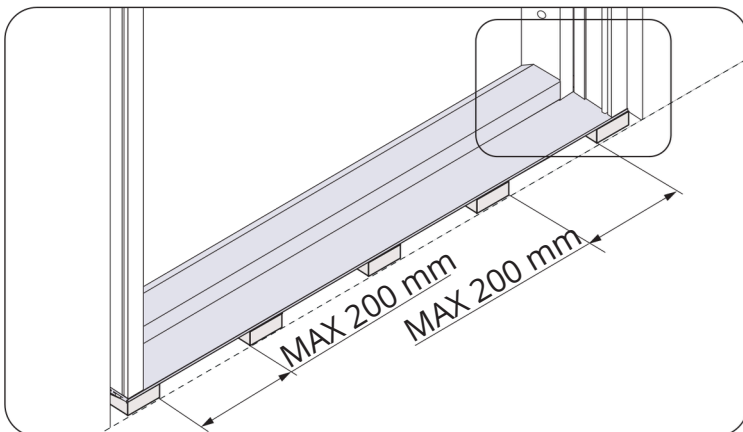
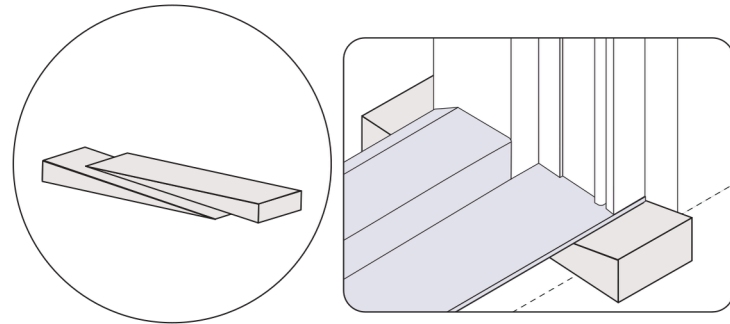
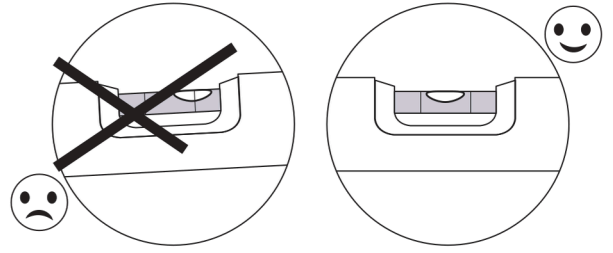
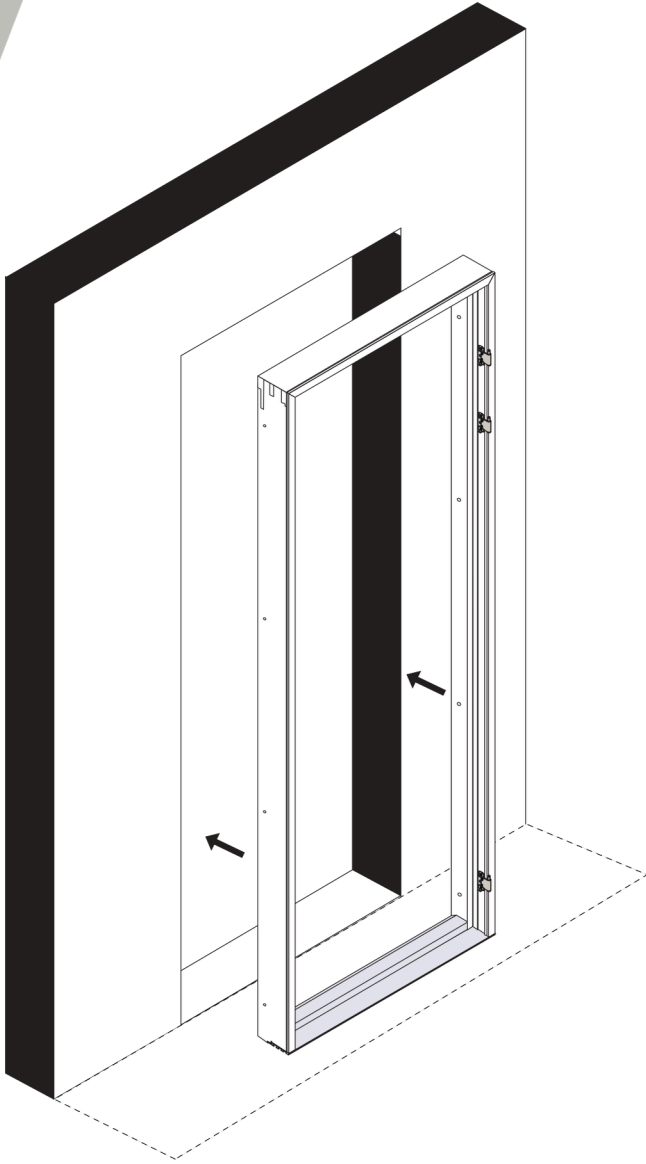


1.

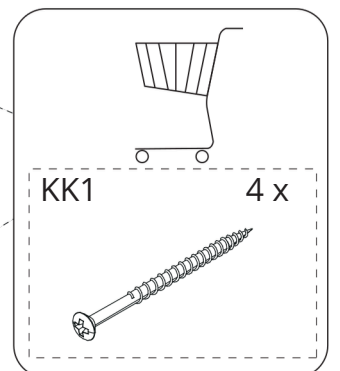
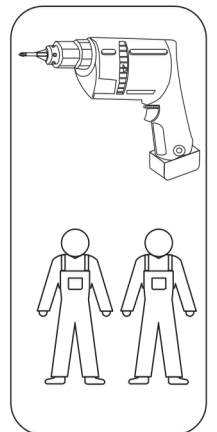
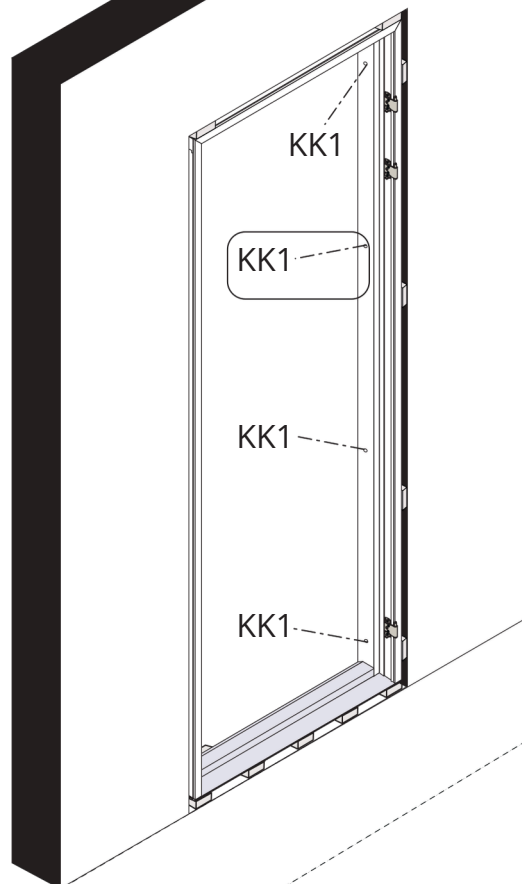
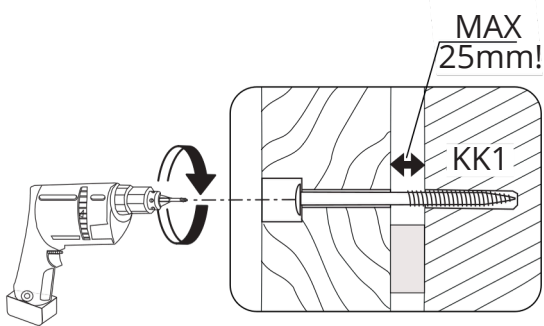
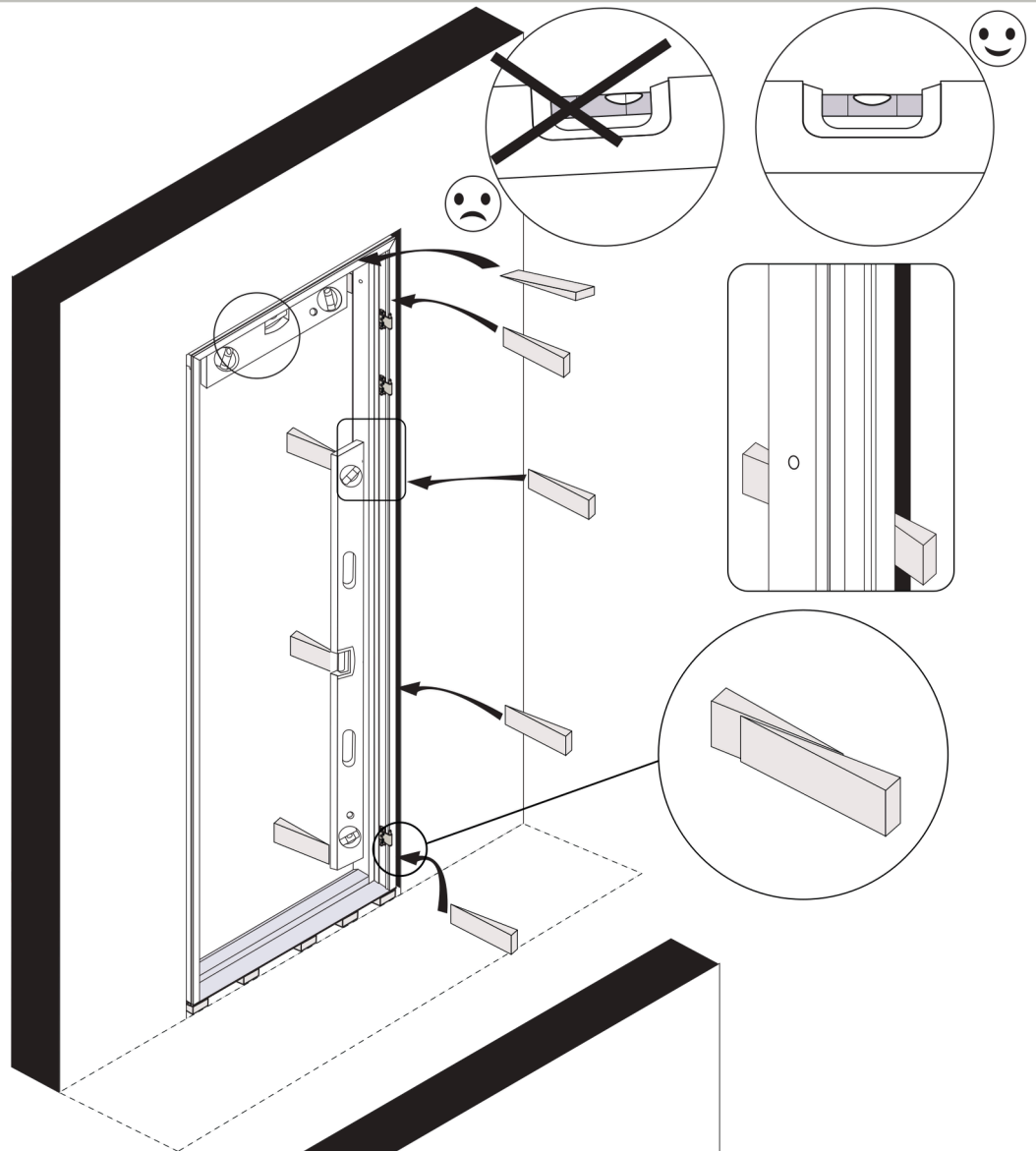
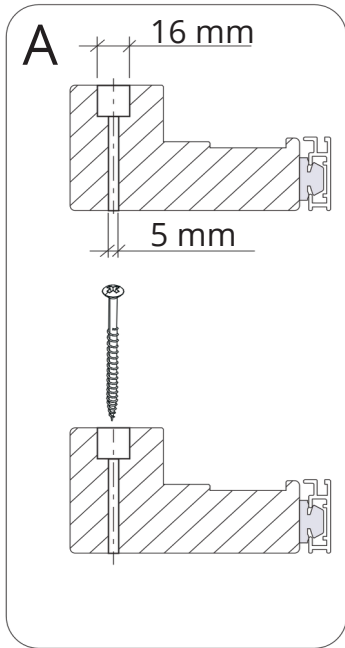


2.



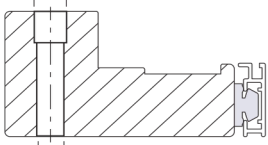


4A

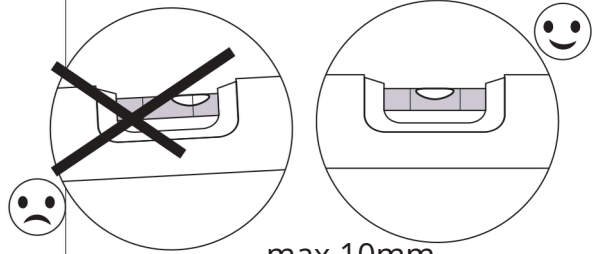
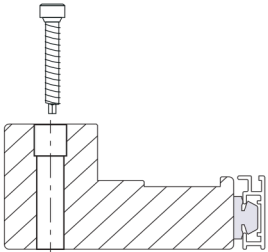


4B

B 16 mm

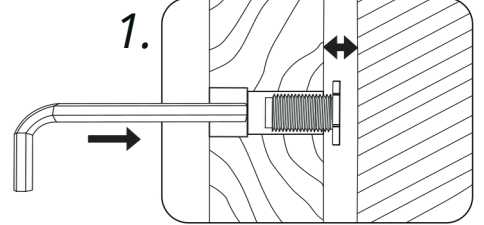


14 mm

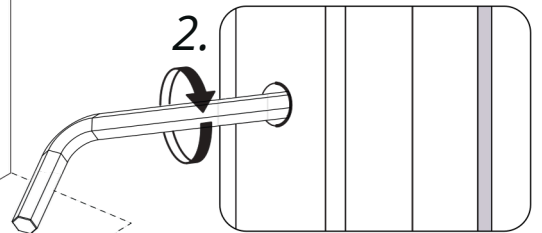


max 10mm

1.



2.



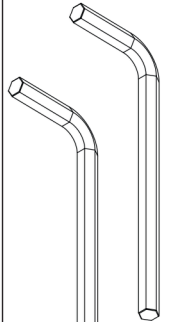
WW2

WW2

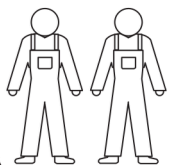
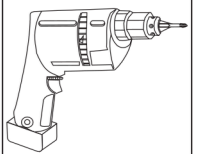
WW2

WW2

8,0mm



10,0mm



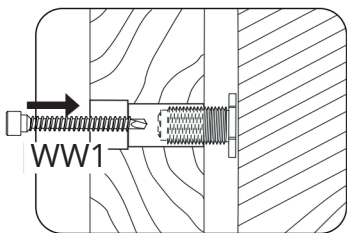
WW1

WW1

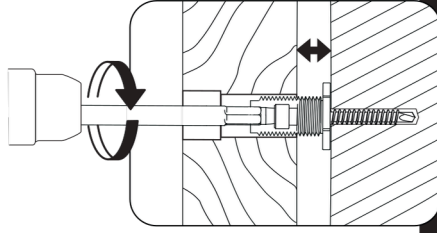
WW1

WW1

1.

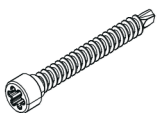


2.



WW1

4 x

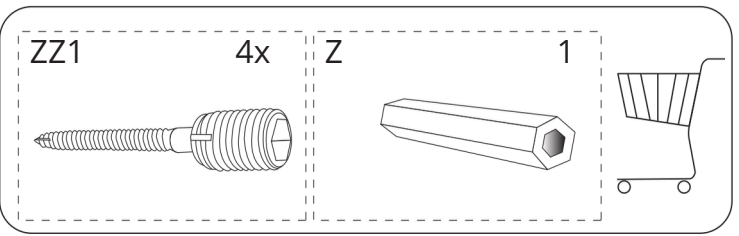
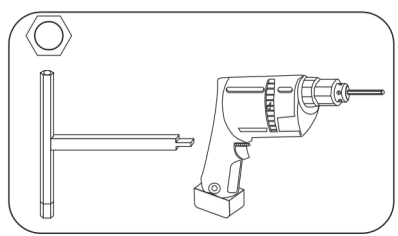
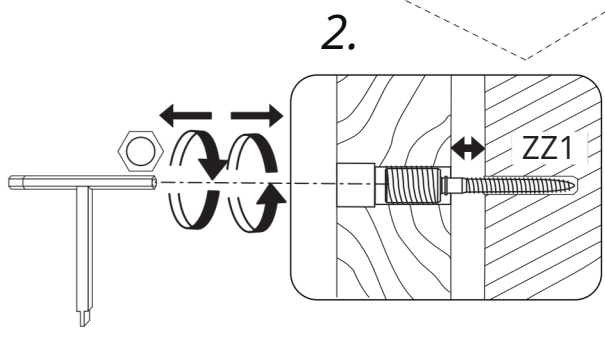
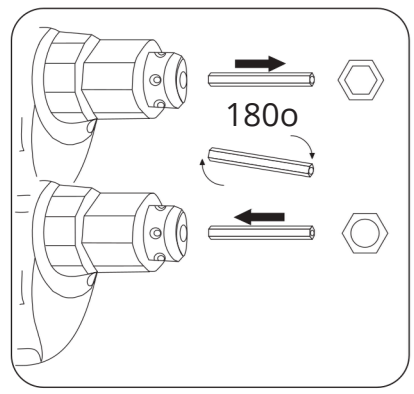
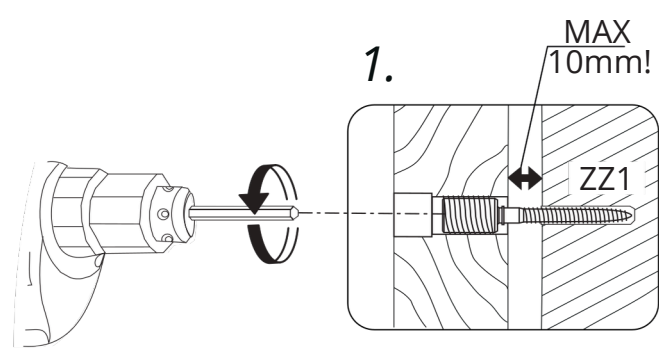
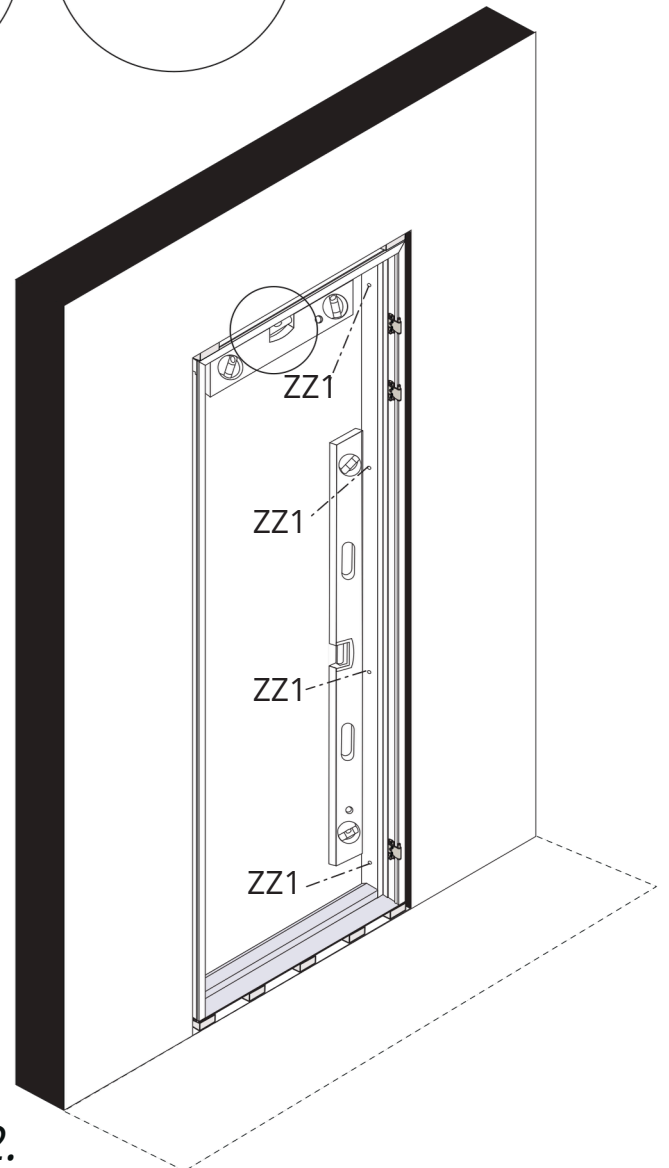
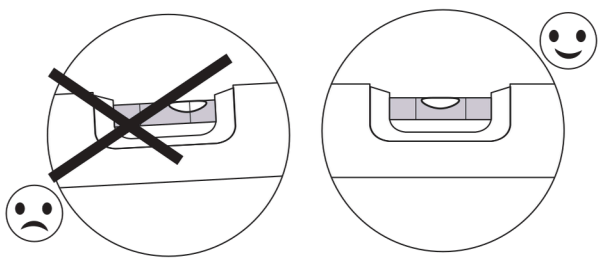
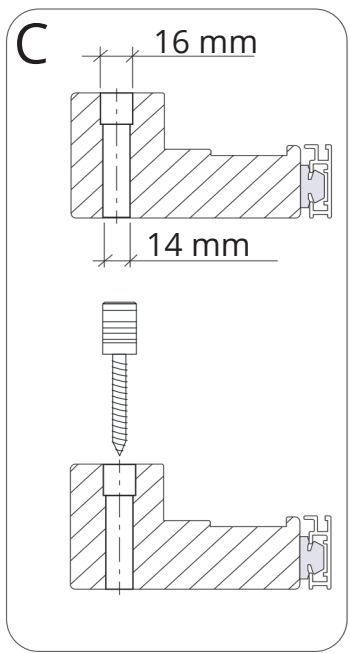


WW2

8 x

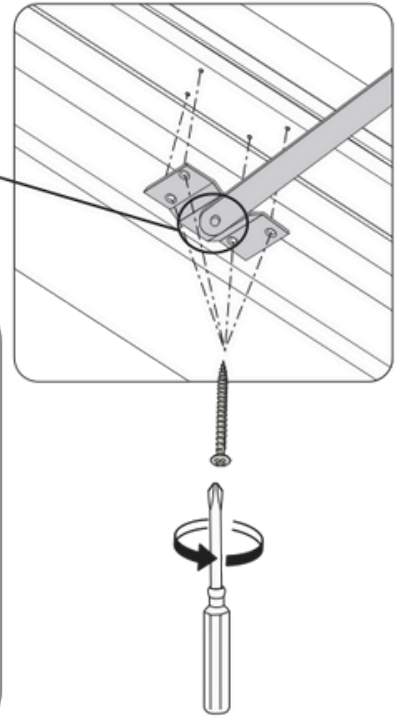


4C

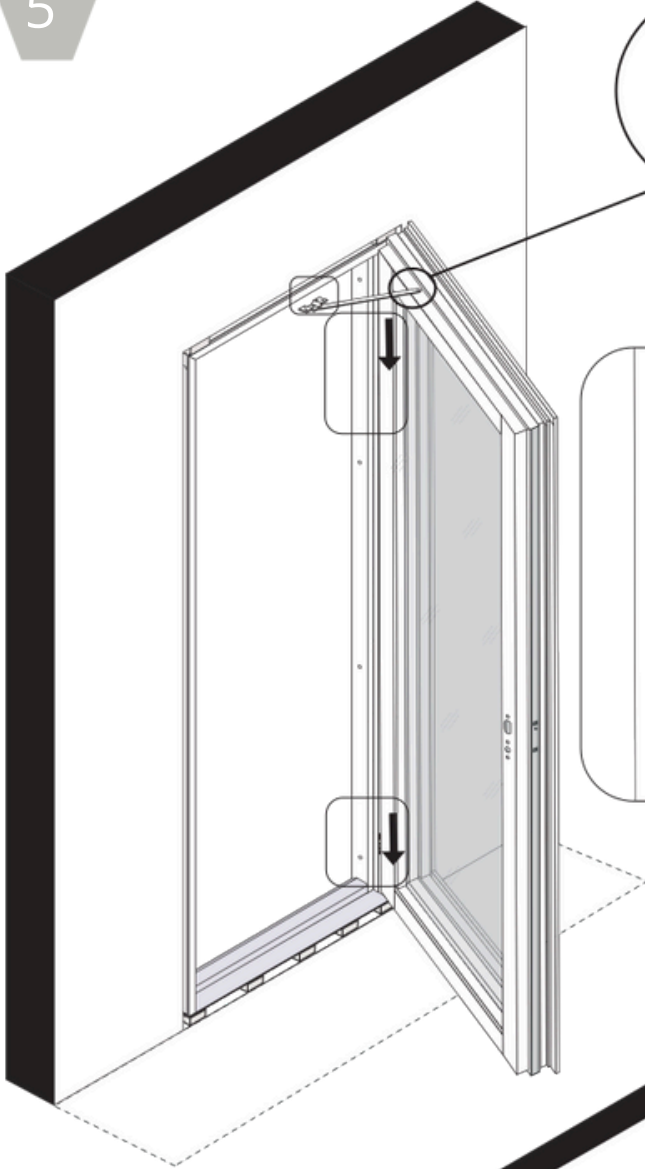
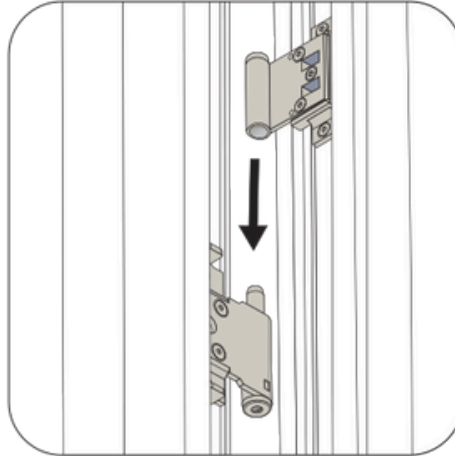




2.



1.

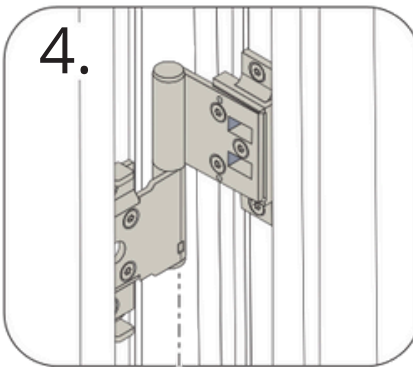


3.a.

MAX 3



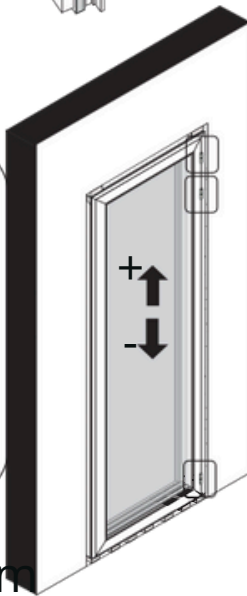
4.



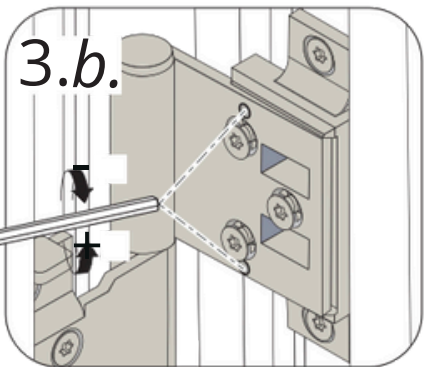
+ 2,0mm



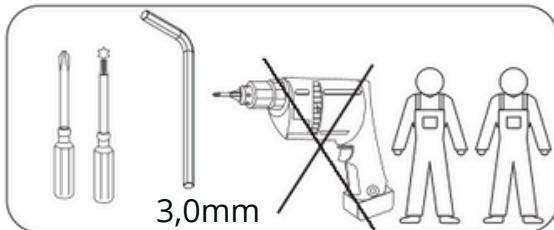
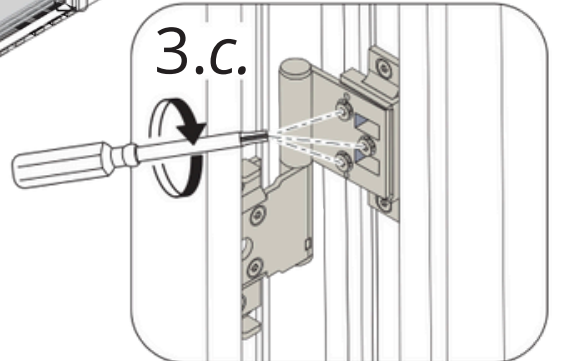
- 2,0mm



3.b.



3.c.

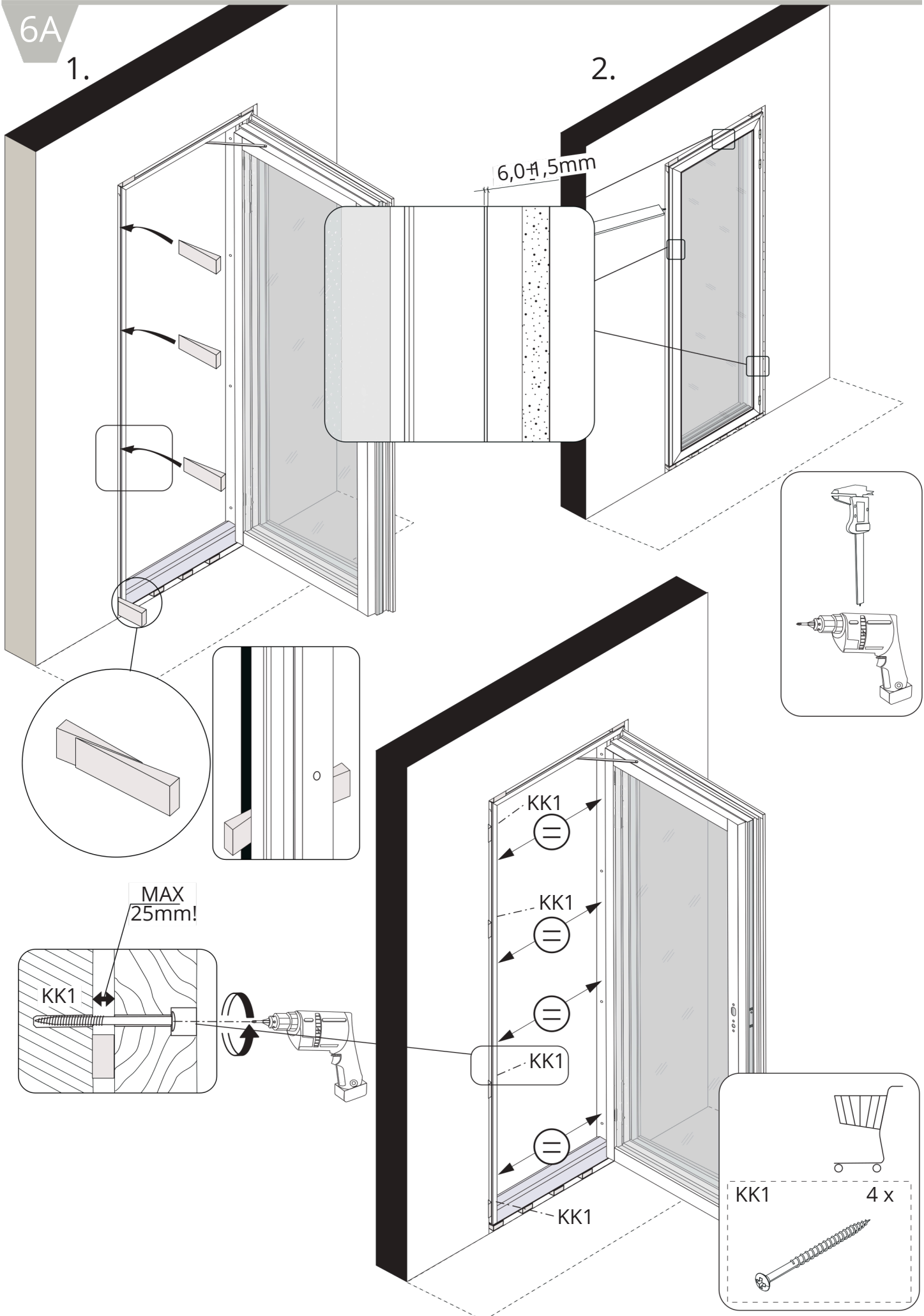


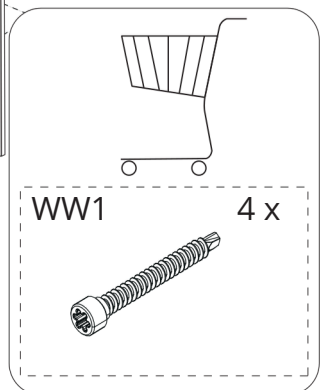
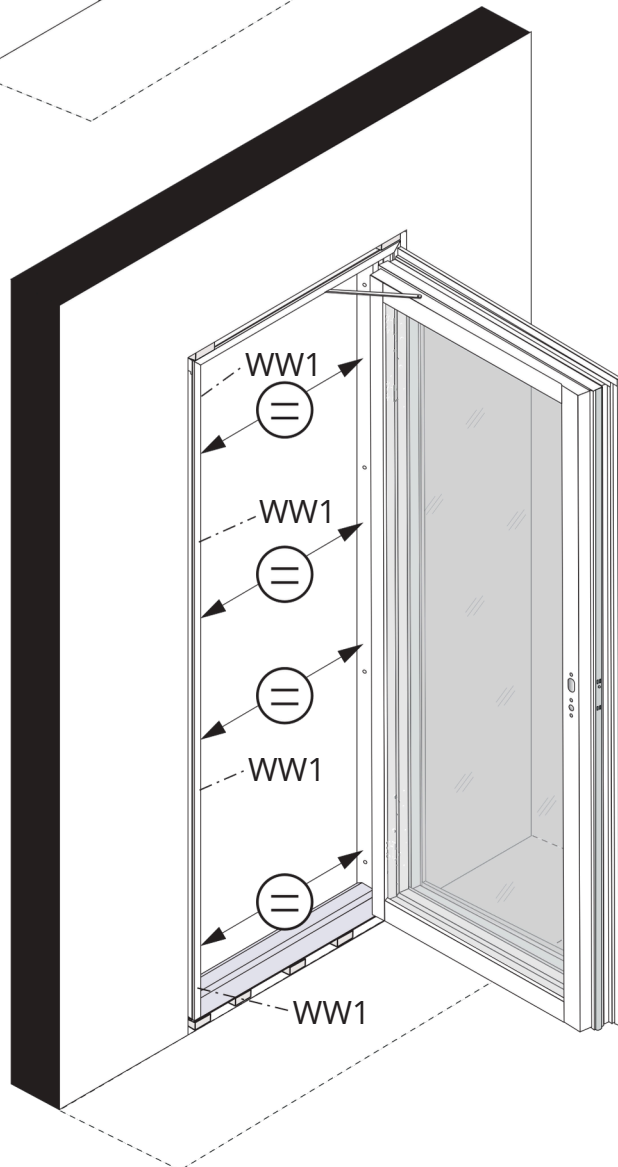
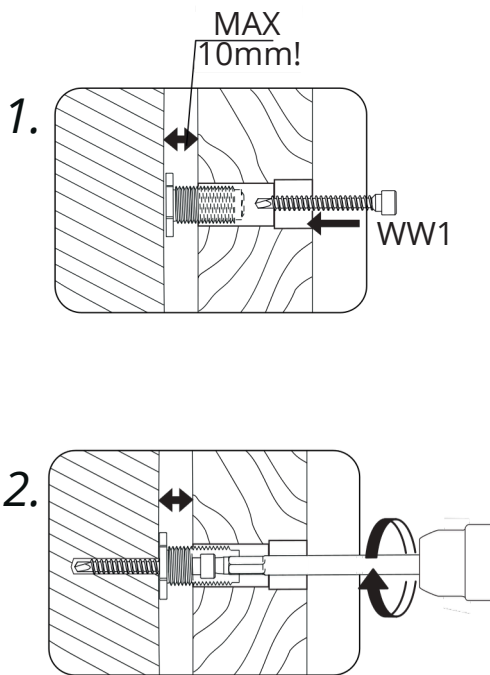
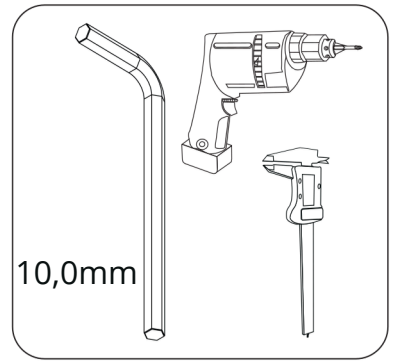
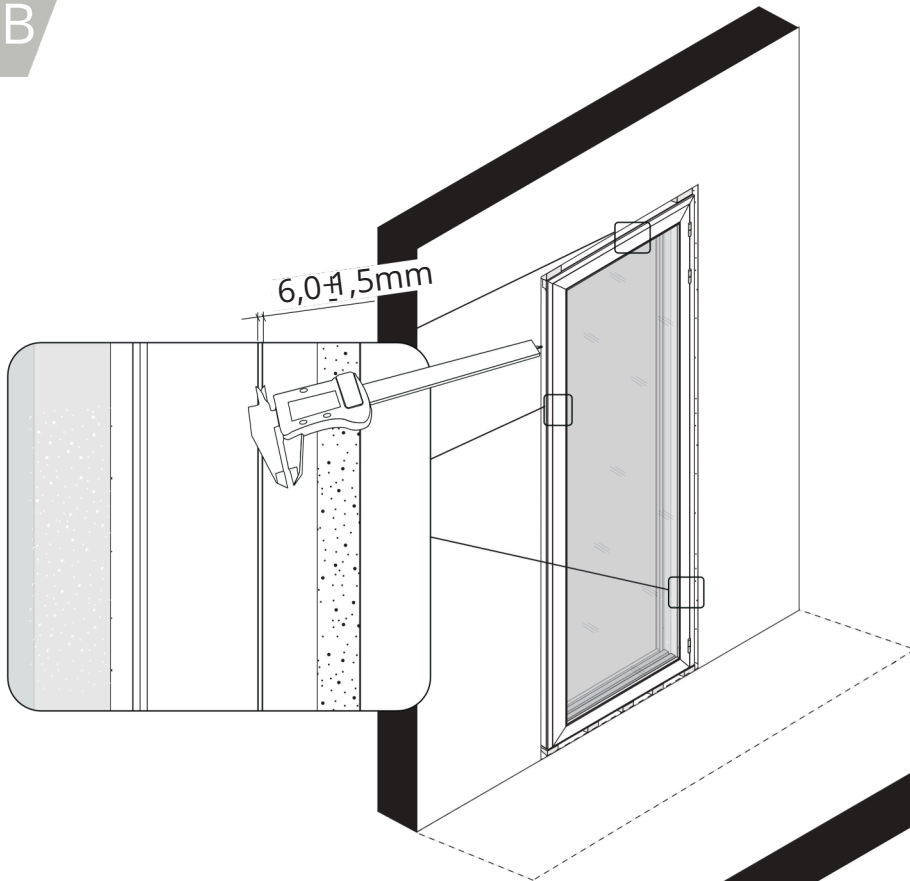
3,0mm

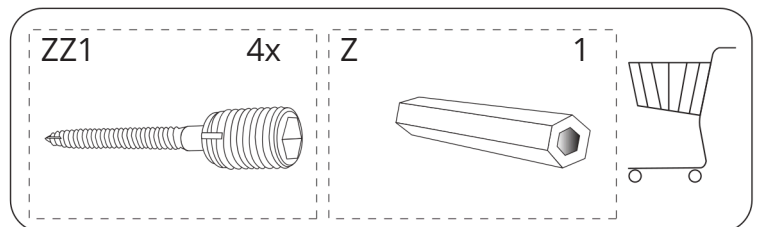
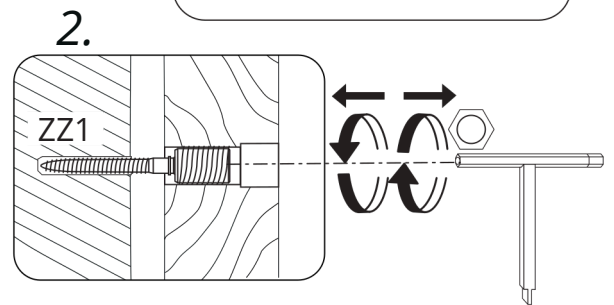
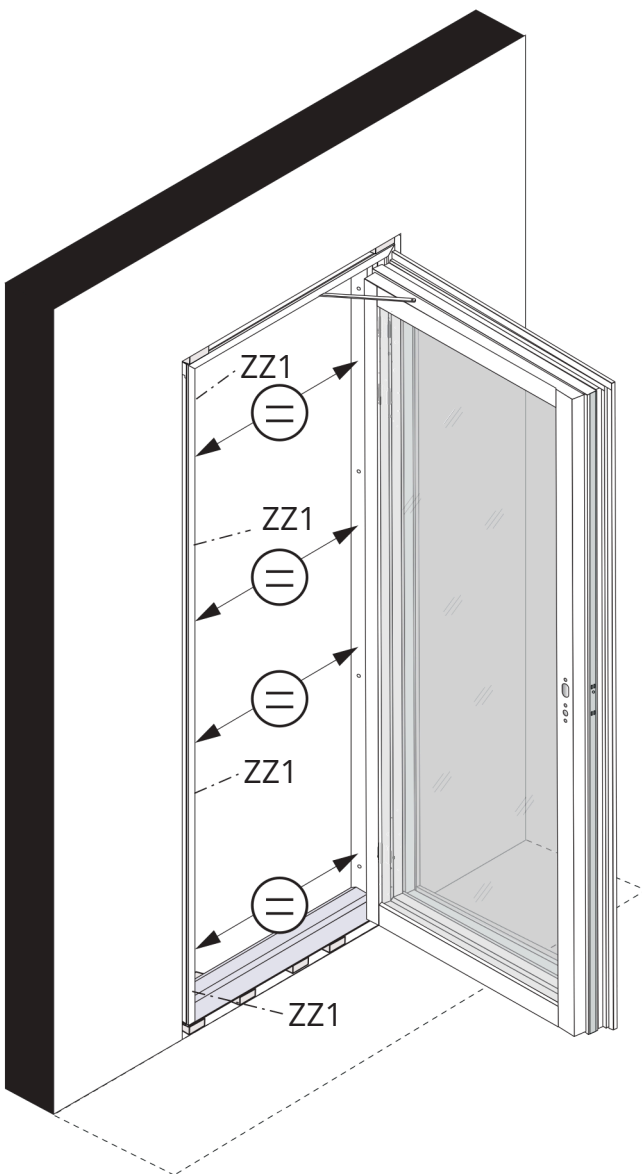
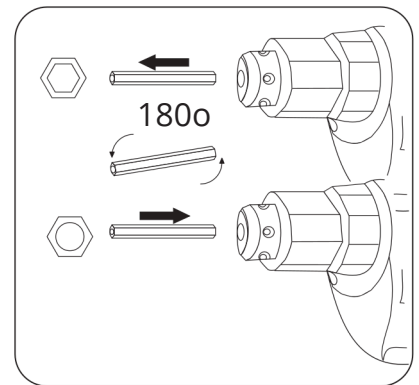
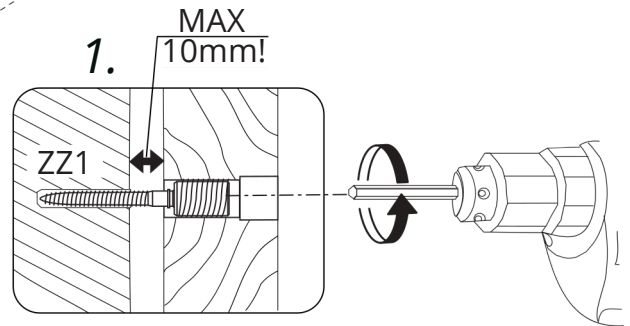
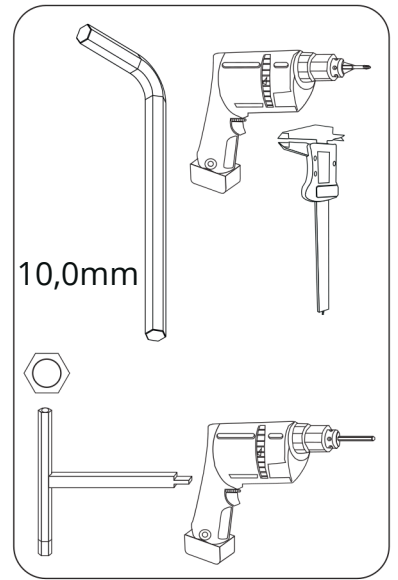
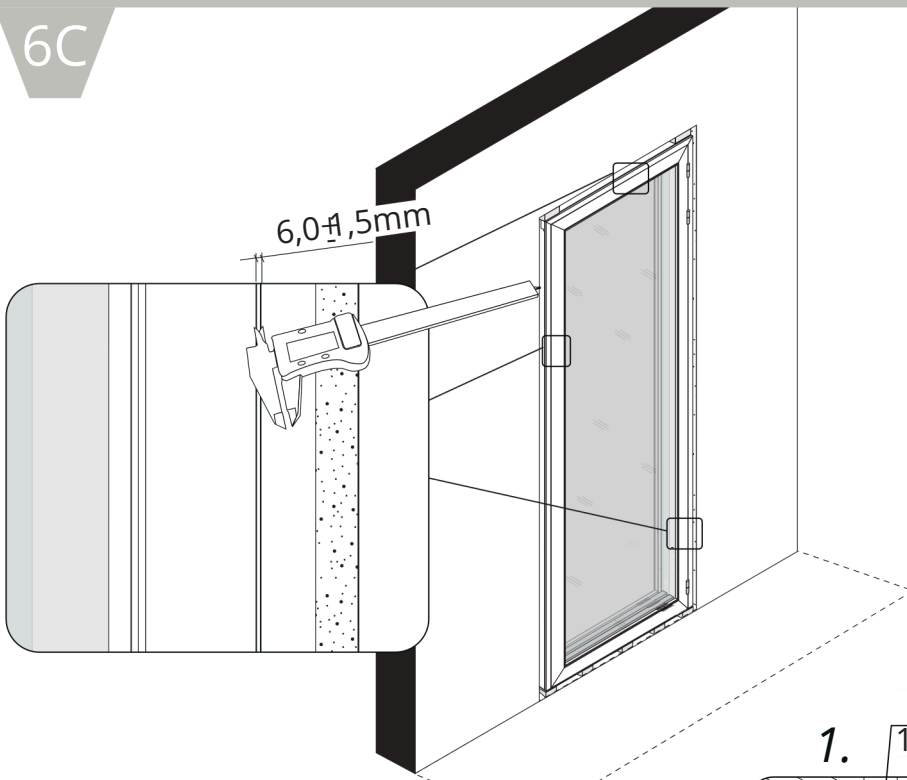
6A

1.

2.

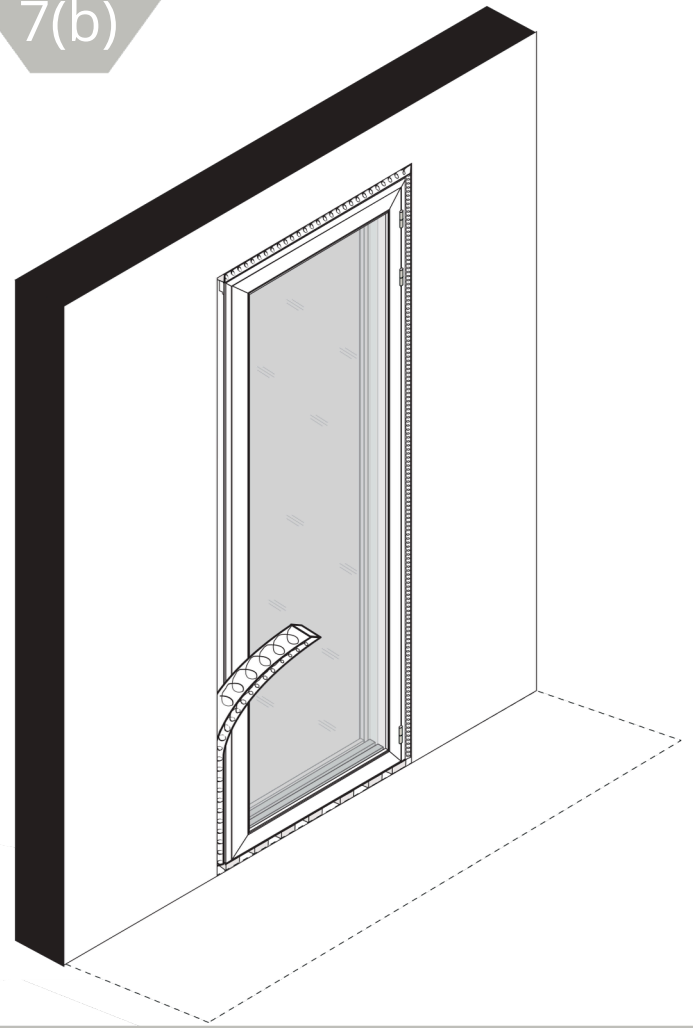
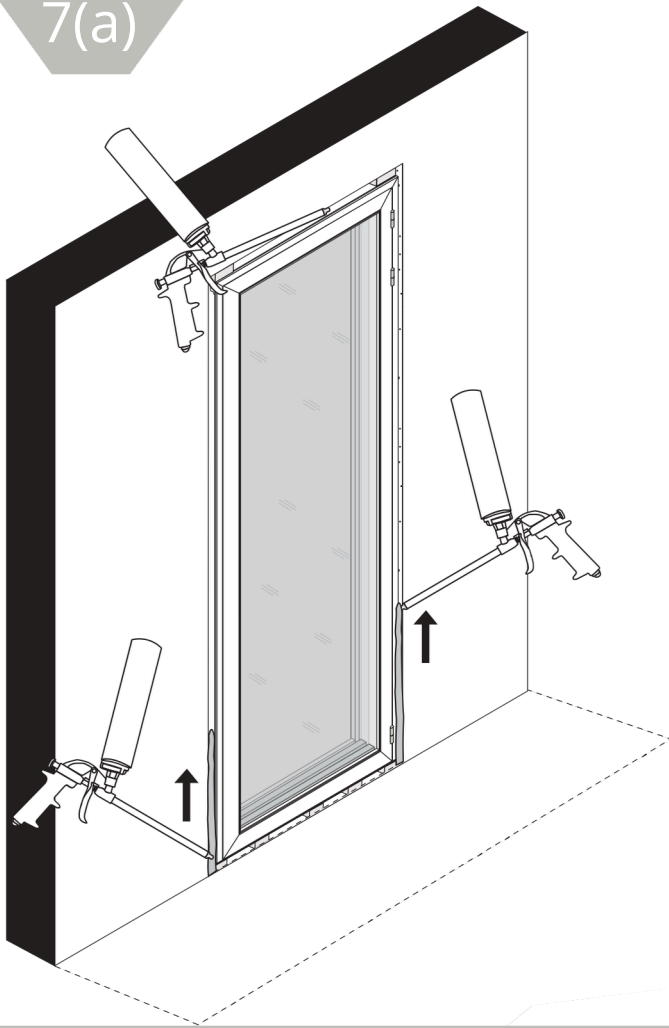






7(a)

7(b)



8

